



SIMPLY STAINLESS

Modular Sinks, Tables & Shelving

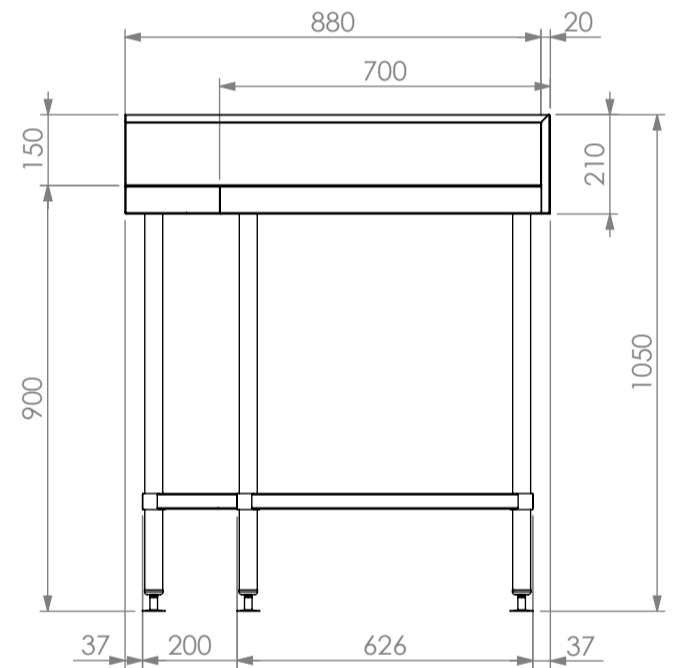


04-6-0900

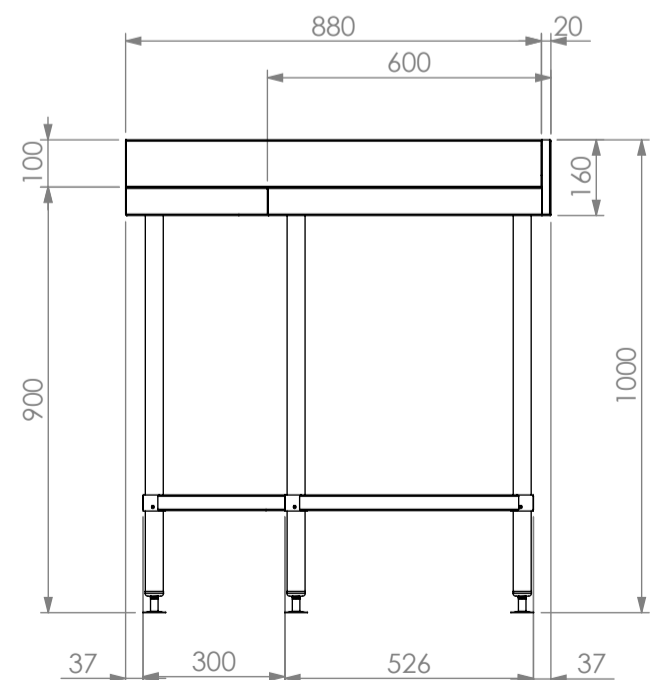


04-7-0900

SPECIFICATION	
Tops	- High quality 304 grade stainless steel. - 1.2mm gauge, no. 4 Finish.
Core	- 3mm zinc anneal. - Marine grade protective paint .
Frames	- Ø38mm round stainless steel tube. - Satin polished. - Machined collars. - Adjustable stainless disc feet.
Undershelves	- High quality stainless steel. - 1.2mm gauge, no. 4 Finish. - Top hat stiffening with channels.



*700mm DEEP MODULE ELEVATION.



*600mm DEEP MODULE ELEVATION.

04	Corner Bench			
	Product Code	Dimensions (mm)	Unit weight (Kg)	Load capacity (Kg)
	04-06-0900	900x600x900	44.38	350
04-07-0900	900x700x900	51.13	350	

